

ANKERSMID Flow meter

AFM 10x/20x Series

Application

The AFM flow meter for front and panel mounting are used for flow control of gas media in analysis devices and systems.

Description

The Ankersmid AFM 10x flow meter consists of a vertical, internally conical glass tube widening towards the top in which a float can move freely upwards and downwards and of the head and bottom piece with an integrated Stainless Steel needle valve. The sample gas flows upwards through the tube and lifts the float until a radial clearance occurs between the tube wall and the float so that forces affecting the body are in equilibrium. Every position of the float corresponds to a certain flow which can be read on a calibrated scale.

The measuring tube is sealed within the head and bottom part with FPM o-rings, as is the fine adjustment needle valve.

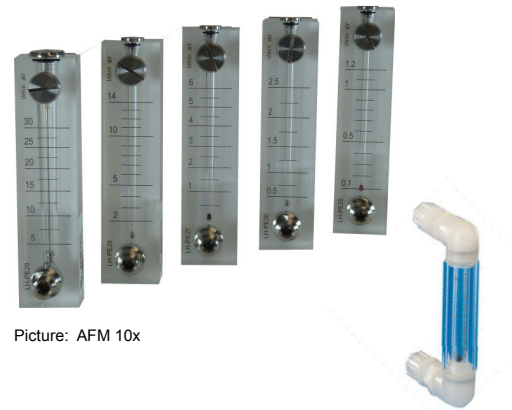
The flow meter is fitted with a fine adjustment valve in the inlet for precise flow value setting.

The Ankersmid AFM 20x flow meter consists of a vertical, internally conical glass tube widening towards the top in which a float can move freely upwards and downwards. A "front panel" of a maximum 4 mm thickness with two appropriate mounting bore holes serves as base body for attaching the head and the bottom part.

The measuring tube is sealed within the head and bottom part with FPM o-rings. All parts coming into contact with the gas medium are made of PVDF, FPM and glass.

Available flow ranges:

AFM 101	0,1-1,2 l/min
AFM 102	0,5-2,5 l/min
AFM 103	0,5-6 l/min
AFM 104	2-14 l/min
AFM 105	5-30 l/min
AFM 201	0,2-2 l/min
AFM 202	0,2-2 l/min



Picture: AFM 10x

Picture: AFM 20x

- **Good chemical resistance**
- **Compact design**
- **AFM 10x with fine adjustment needle valve**



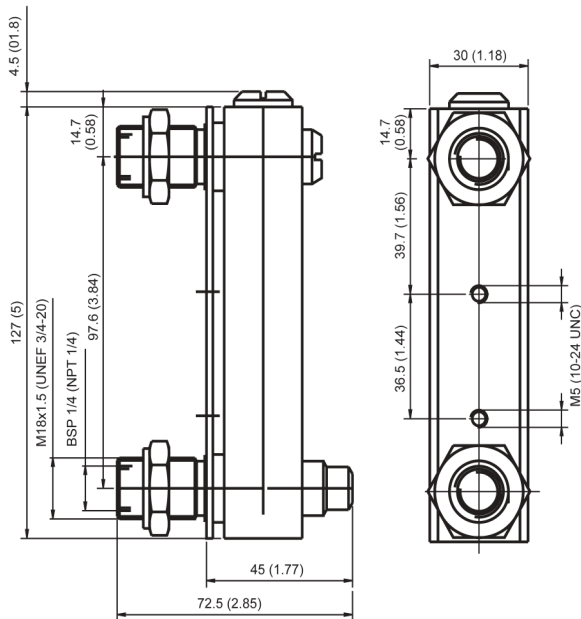
ANKERSMID Flow meter
AFM 10x/20x Series

Technical data

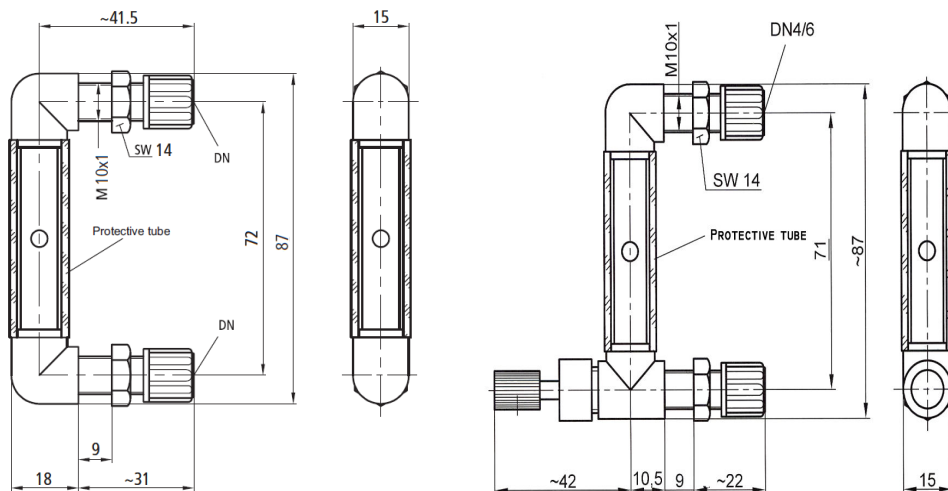
Model	AFM 101	AFM 201/202
Max. pressure	20 bar abs. (30 bar/30°C)	3 bar abs.
Max. temperature	75°C	60°C
Material flow tube	Acrylic (PMMA)	Duran® glass
Material valve	SS 316	---
Material sealing, float	Viton®, EPDM	FPM, glass
Material connectors	SS 316	PP, PVDF
Connections	NPT 1/4"	DN 4/6mm
Accuracy	± 10% F.S. (H ₂ O, +20°C)	
Weight	300g	100g

ANKERSMID Flow meter
AFM 10x/20x Series

Dimensions



Picture: AFM 101



Picture: AFM 201

AFM 202